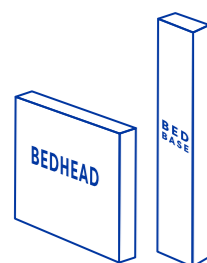
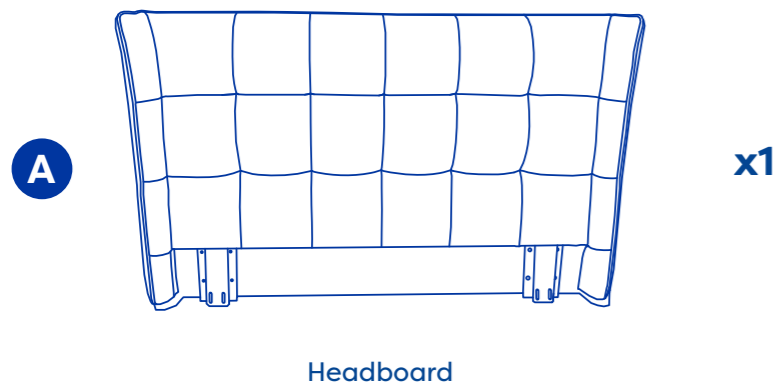


# ecosa

## REGA BEDHEAD

# Assemble your Rega Bed Frame in 4 easy steps

### What's in the box?



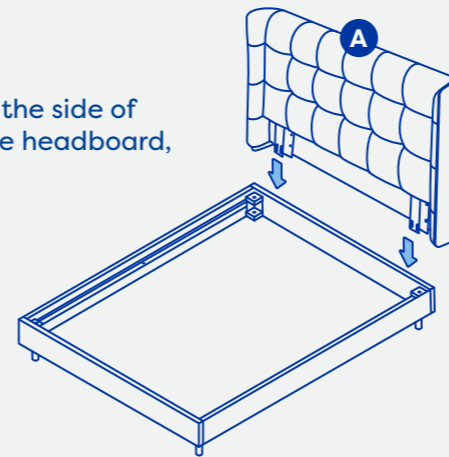
Your bedhead and base will arrive in different boxes. Check each box contains all items listed.



**Assemble the Breeze (Breeze Storage) Bed Base first as per instructions included.**

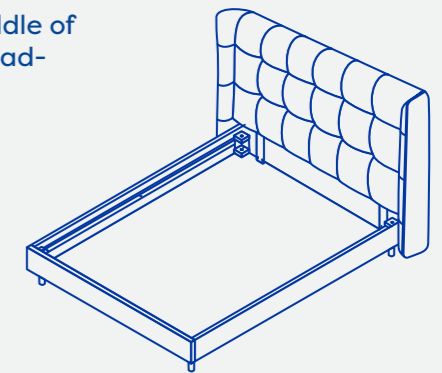
1

Align the Breeze Bed Base with the side of the headboard (A) and insert the headboard, following the arrow direction.



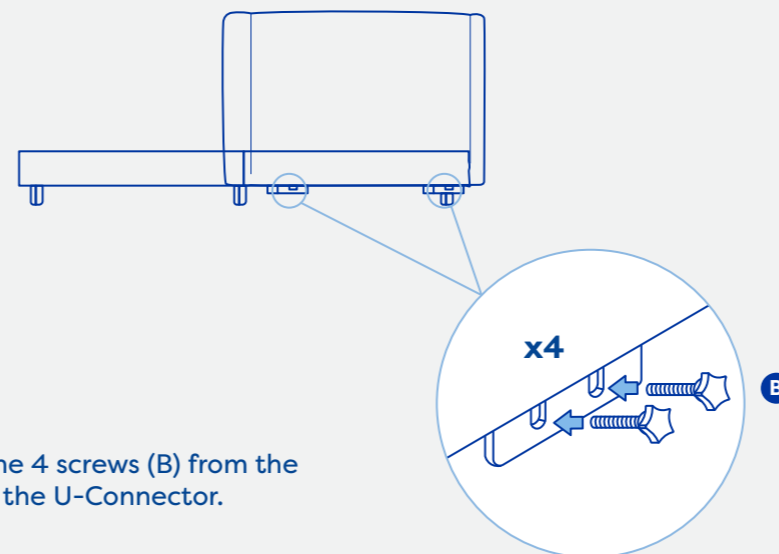
2

Adjust the headboard to the middle of the bed base. Make sure the headboard and footboard are flush.



3

Insert the 4 screws (B) from the back of the U-Connector.



4

Secure the headboard by winding a butterfly nut (C) onto each screw. Fasten these nice and tight. Congrats, you're done!

